



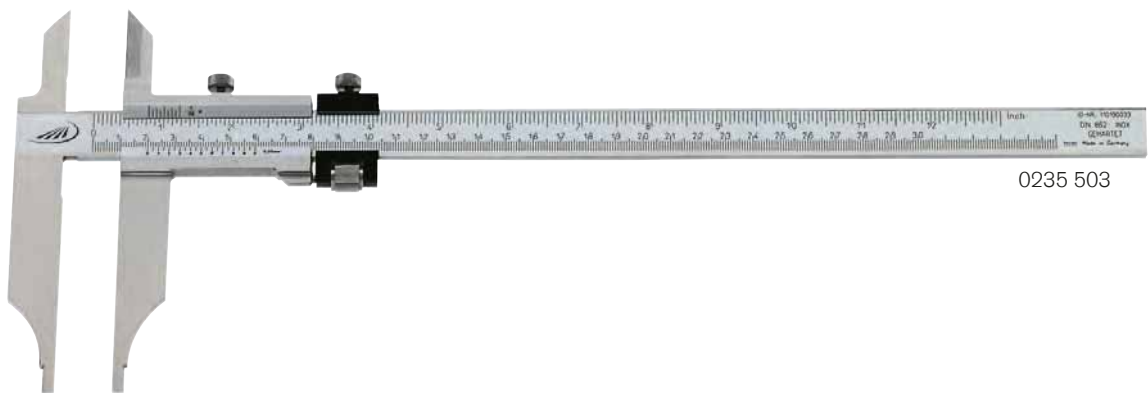
## 0234 / 0235 Workshop calipers



**DIN  
862**



0234 503



0235 503

### Model

- Stainless steel
- Vernier and reading parts have a satin chrome finish
- DIN 862
- Locking screw
- Knife points

### Delivery

- Stepped jaws for inside measurement: 10 mm, 20 mm\* and 30 mm\*\*
- Low-set master scale
- High-precision laser graduation on vernier and scale
- From 1000 mm measuring range individually packed

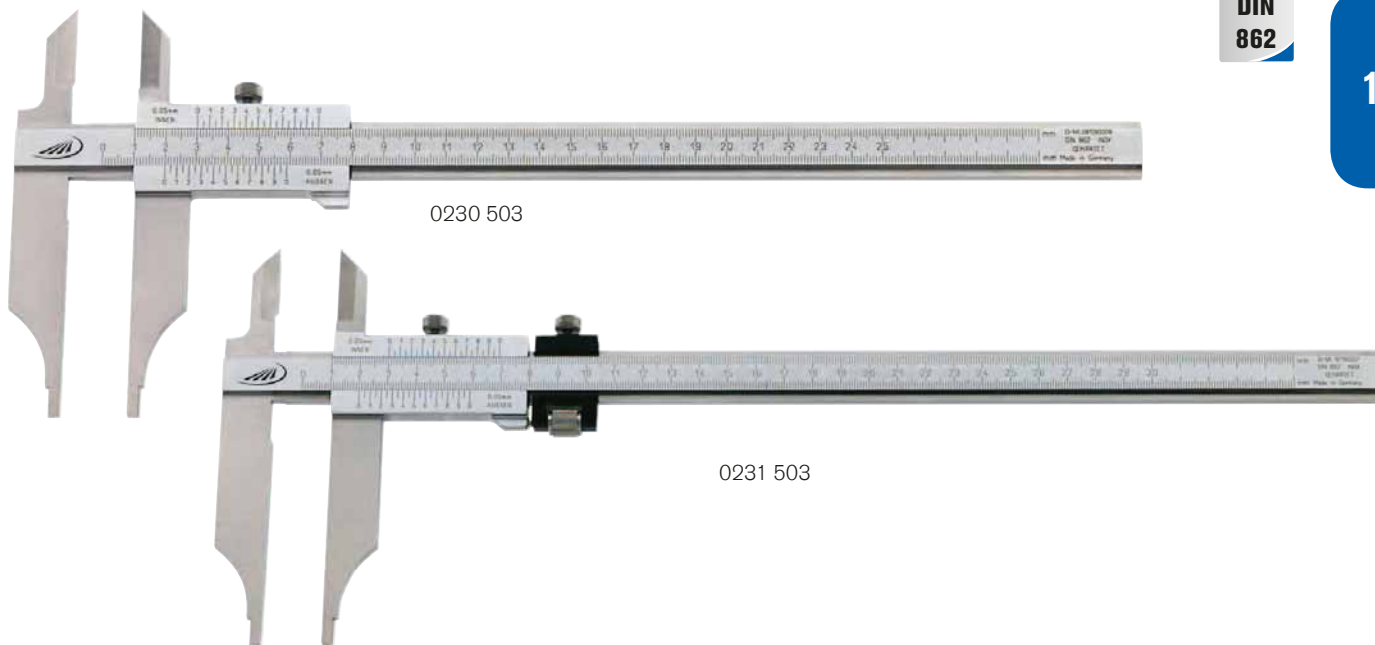
✕	📏	Measuring range		Jaw length		Reading		Error limit mm	Order no.	List price EUR
		mm	inch	mm	inch	mm	inch			
<b>Without fine adjustment</b>										
▪		0 - 300	0 - 12	90	3.5	0.05	1/128	0.05	0234 503	164.00
▪		0 - 500	0 - 20	150	6.0	0.05		0.07	0234 508*	489.00
▪		0 - 800	0 - 31	150	6.0	0.05		0.1	0234 514*	628.00
▪		0 - 1000	0 - 39	150	6.0	0.05		0.12	0234 518*	754.00
	▪	0 - 1500	0 - 59	200	8.0	0.05		0.18	0234 524**	1585.00
	▪	0 - 2000	0 - 79	200	8.0	0.05		0.22	0234 526**	2321.00
<b>With fine adjustment</b>										
▪		0 - 300	0 - 12	90	3.5	0.05	1/128	0.05	0235 503	189.00
▪		0 - 500	0 - 20	150	6.0	0.05		0.07	0235 508*	528.00
▪		0 - 800	0 - 31	150	6.0	0.05		0.1	0235 514*	692.00
▪		0 - 1000	0 - 39	150	6.0	0.05		0.12	0235 518*	817.00
	▪	0 - 1500	0 - 59	200	8.0	0.05		0.18	0235 524**	1681.00
	▪	0 - 2000	0 - 79	200	8.0	0.05		0.22	0235 526**	2476.00



## 0230 / 0231 Workshop calipers with parallax-free reading



1



### Model

- Parallax-free reading
- Stainless steel
- Reading parts have a satin chrome finish
- DIN 862
- Locking screw
- Knife points

### Delivery

- Stepped jaws for inside measurement: 10 mm, for measuring range 500 mm: 20 mm
- Direct reading of internal and external measurements
- High-precision laser graduation on vernier and scale
- Cardboard box

Icon	Measuring range		Jaw length		Reading	Error limit	Order no.	List price
	mm	inch	mm	inch				
<b>Without fine adjustment</b>								
▪	0 - 300	0 - 12	90	3.5	0.05	0.05	0230 503	178.00
▪	0 - 500	0 - 20	150	6.0	0.05	0.07	0230 508	510.00
<b>With fine adjustment</b>								
▪	0 - 300	0 - 12	90	3.5	0.05	0.05	0231 503	205.00
▪	0 - 500	0 - 20	150	6.0	0.05	0.07	0231 508	557.00



## 0238 Lightweight workshop calipers



### Model

- To reduce weight, both, slide and beam, are made of aluminium, with a hard anodized surface coating (1100 HV)
- Measuring faces are made of hardened stainless steel
- Factory standard
- Parallax-free reading
- Smooth running due to double V-guide
- Locking screw
- Knife points
- Stepped jaws for inside measurement 20 mm

### Delivery

- Wooden case for calipers up to 1000 mm, larger measuring ranges are packed into cardboard boxes

✕	🏠	Measuring range mm	Jaw length mm	Reading mm	Error limit mm	Order no.	List price EUR
		0 - 300	90	0.02	0.05	0238 503	379.00
		0 - 500	150	0.02	0.07	0238 508	542.00
		0 - 800	150	0.02	0.1	0238 514	724.00
		0 - 1000	150	0.02	0.12	0238 518	848.00
	▪	0 - 1500	200	0.05	0.17	0238 524	2199.00
	▪	0 - 2000	200	0.05	0.22	0238 526	2560.00



## 0265 Caliper with cross points



1

### Model

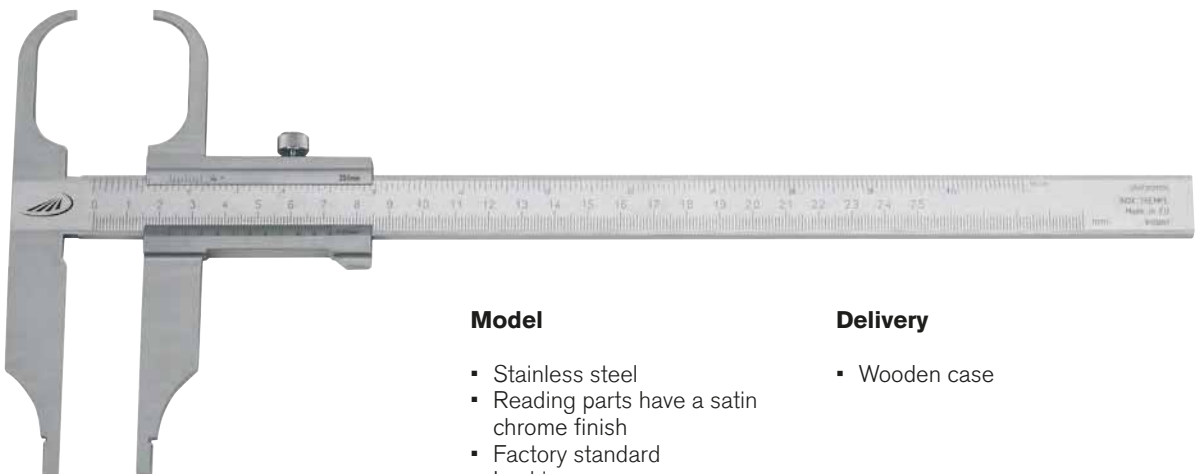
- Stainless steel
- Reading parts have a satin chrome finish
- Factory standard
- Locking screw
- Inside cross points length 55 mm

### Delivery

- Wooden case

Icon	Measuring range	Jaw length		Reading	Error limit	Order no.	List price
	mm	mm	inch	mm	mm		EUR
	0 - 250	80	3.1	0.02	0.03	0265 52005	270.00

## 0266 Caliper with gripper points



### Model

- Stainless steel
- Reading parts have a satin chrome finish
- Factory standard
- Locking screw
- Gripper points length 55 mm

### Delivery

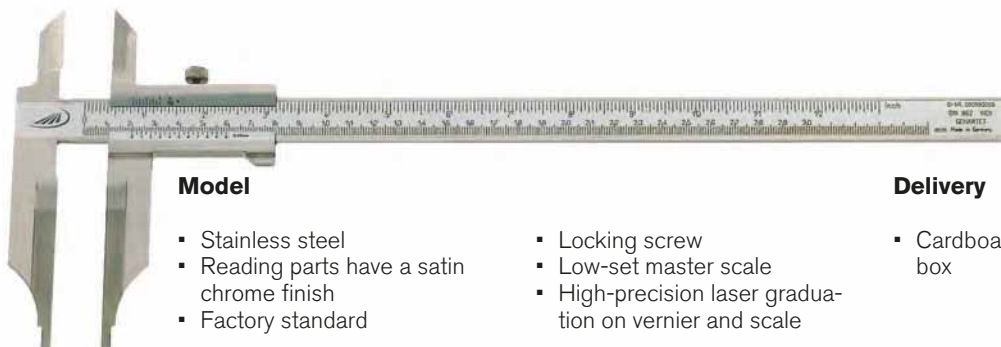
- Wooden case

Icon	Measuring range	Jaw length		Reading	Error limit	Order no.	List price
	mm	mm	inch	mm	mm		EUR
	0 - 250	75	3.0	0.02	0.03	0266 52005	362.00



# HELIOS · PREISSER

## 0262 Caliper for external locking grooves

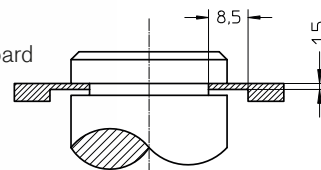


### Model

- Stainless steel
- Reading parts have a satin chrome finish
- Factory standard
- Locking screw
- Low-set master scale
- High-precision laser graduation on vernier and scale

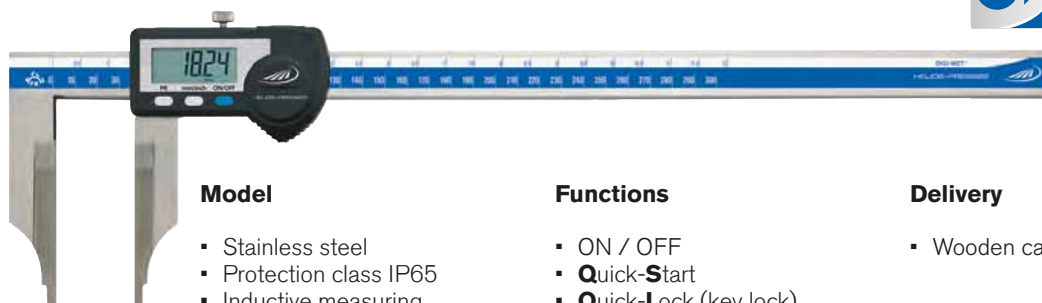
### Delivery

- Cardboard box



✕	Measuring range		Jaw length		Reading		Error limit	Order no.	List price
	mm	inch	mm	inch	mm	inch			
	0 - 300	0 - 12	90	3.5	0.05	1/128	0.03	0262 503	EUR 271.00

## 1353 DIGI-MET® Caliper for external locking grooves



### Model

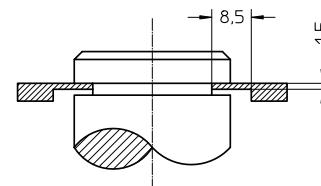
- Stainless steel
- Protection class IP65
- Inductive measuring system
- LCD display 10 mm
- Locking screw
- Factory standard

### Functions

- ON / OFF
- Quick-Start
- Quick-Lock (key lock)
- Set to zero at any point
- mm / inch switching
- PRESET-Function (setting a numerical value)
- Variable data output RS 232 + Digimatic + USB

### Delivery

- Wooden case



✕	Measuring range		Jaw length		Reading		Error limit	Order no.	List price
	mm	inch	mm	inch	mm	inch			
	0 - 300	0 - 12	90	3.5	0.01	.0005	0.03	1353 522	EUR 491.00



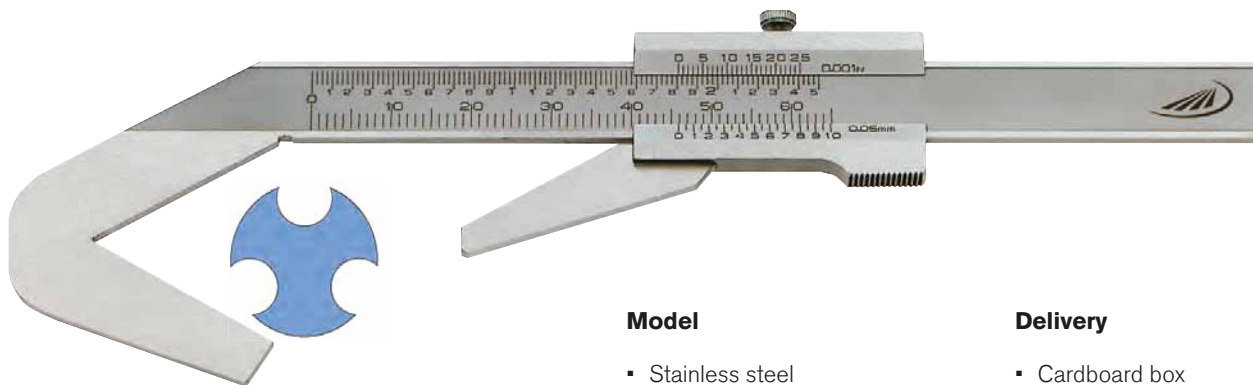
1998720      1997501      1998501

### Accessories

	Order no.	List price
Battery, 3V-Lithium, CR 2032	0220 704	EUR 3.90
Data cable DATA VARIABLE to RS232	1997 501	50.00
Data cable DATA VARIABLE to digimatic	1998 501	64.00
Data cable DATA VARIABLE to USB	1998 720	72.00



## 0260 Calipers for 3/5 point measurement



### Model

- Stainless steel
- Reading parts have a satin chrome finish
- Locking screw
- Factory standard

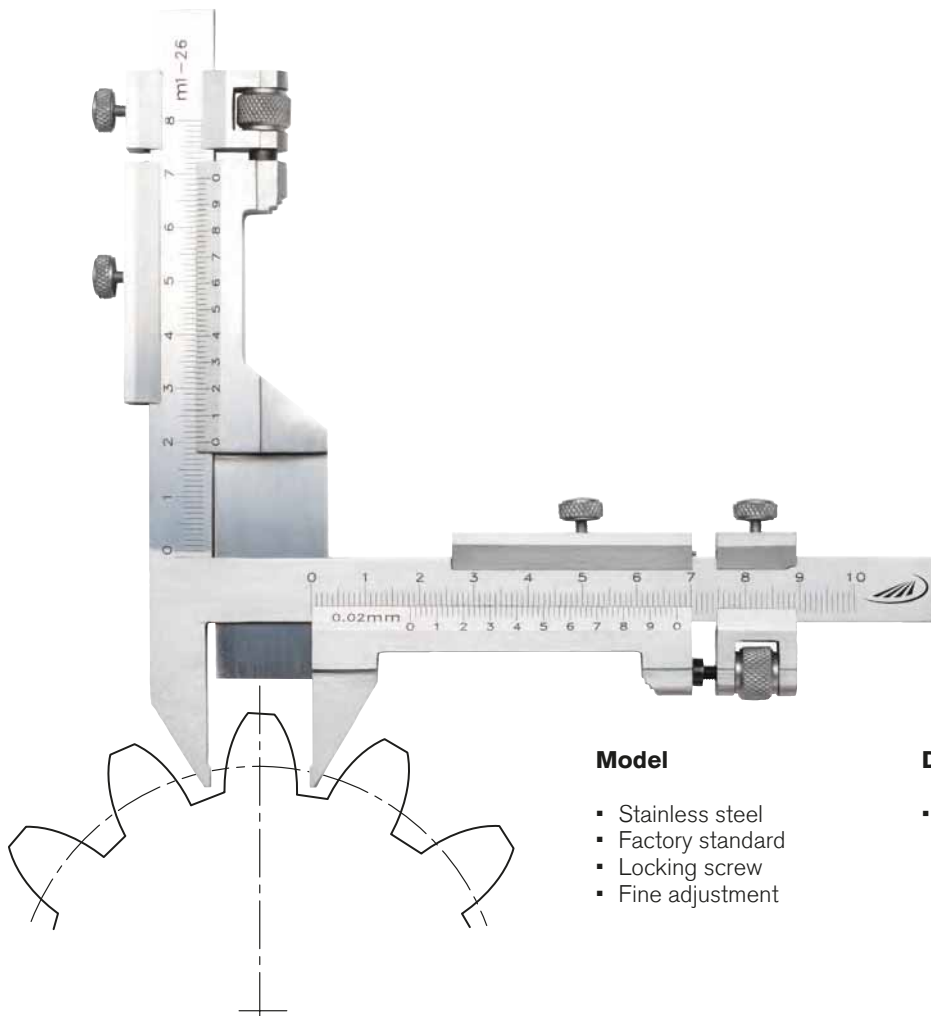
### Delivery

- Cardboard box

Measuring range	Reading		Error limit	Order no.	List price
	mm	mm   inch			
<b>3 point measurement</b>					
4 - 40	0.05	1/128	0.05	0260 501	74.00
<b>5 point measurement</b>					
2 - 40	0.05	1/128	0.05	0260 502	74.00



## 0268 Gear tooth calipers



### Model

- Stainless steel
- Factory standard
- Locking screw
- Fine adjustment

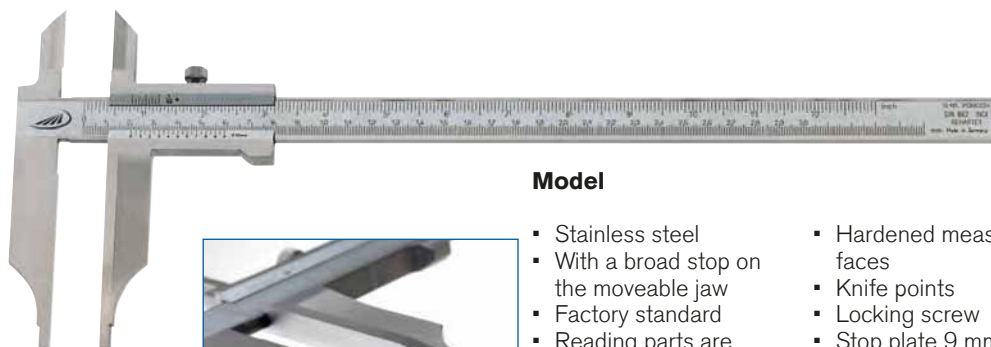
### Delivery

- Wooden case

✂	🏠	Module	Reading mm	Error limit mm	Order no.	List price EUR
<b>Hardened jaw tips</b>						
		1 - 26	0.02	0.1	0268 201	308.00
<b>Carbide tipped jaw tips</b>						
		1 - 26	0.02	0.1	0268 211	376.00



## 0343 Marking calipers

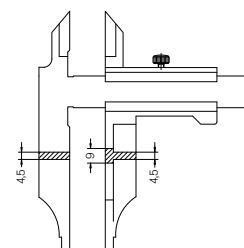


### Model

- Stainless steel
- With a broad stop on the moveable jaw
- Factory standard
- Reading parts are satin chrome finished
- Hardened measuring faces
- Knife points
- Locking screw
- Stop plate 9 mm

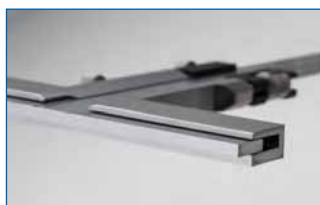
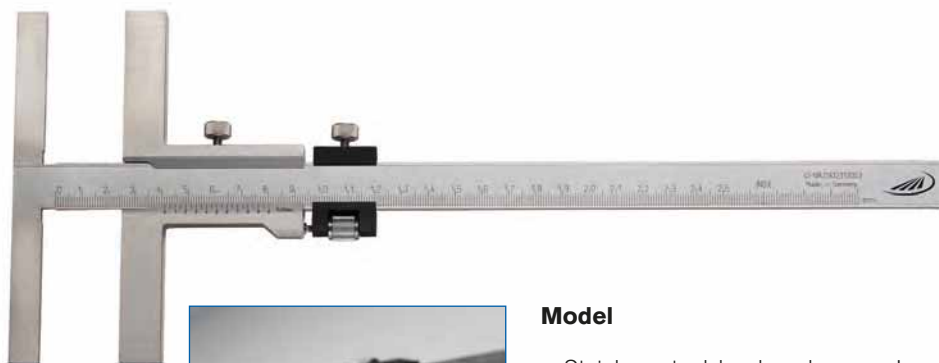
### Delivery

- Cardboard box



Measuring range	Reading	Rail cross-section	Jaw length	Jaws for inside measurements	Order no.	List price
mm	mm	mm	mm	mm		EUR
0 - 250	0.05	20 x 5	90	10	0343 501	266.00
0 - 300	0.05	20 x 5	90	10	0343 503	299.00

## 0344 Marking calipers



### Model

- Stainless steel, hardened
- Long T-shaped marking edge
- Factory standard
- Reading parts are satin chrome finished
- Low set master scale
- Fine adjustment
- Locking screw

### Delivery

- Cardboard box

Measuring range	Reading	Rail cross-section	Length of edge	Order no.	List price
mm	mm	mm	mm		EUR
0 - 160	0.05	18 x 4	135	0344 501	130.00
0 - 250	0.05	18 x 4	135	0344 502	166.00
0 - 300	0.05	18 x 4	160	0344 503	210.00
0 - 500	0.05	18 x 4	160	0344 505	446.00